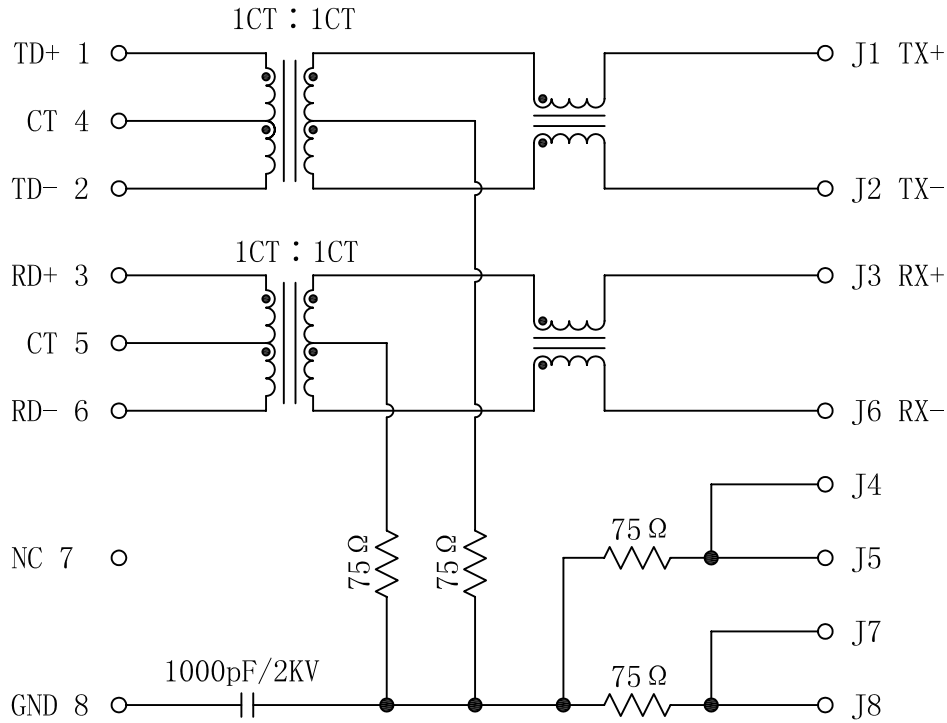


Schematic:

| REV. | ECN NO. | DESCRIPTION | DATE       | APPD |
|------|---------|-------------|------------|------|
| A    | REL     |             | 12/01/2009 |      |

PC BOARD CONNECTIONS

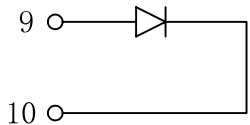


RJ45 CONNECTOR

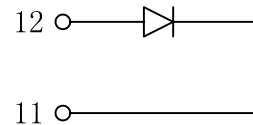
ELECTRICAL SPECIFICATIONS @25°C

- Turn Ratio( $\pm 2\%$ ):  
TX=1CT : 1CT      RX=1CT : 1CT
- Inductance OCL: 350uH MIN  
@ 100KHz, 0.1V, 8mA DC Bias
- Insertion Loss:  
-1.0dB MAX @ 1.0-65MHz
- Return Loss:  
-20dB MIN @ 1-10MHz  
-16dB MIN @ 10-30MHz  
-12dB MIN @ 30-60MHz  
-10dB MIN @ 60-100MHz
- Cross talk:  
-40dB MIN @ 1-30MHz  
-35dB MIN @ 30-60MHz  
-30dB MIN @ 60-100MHz
- Common Mode Rejection:  
-30dB MIN @ 1-50MHz  
-20dB MIN @ 50-150MHz
- Hipot Test:1500Vrms MIN
- Operating Temperature Range:0°C TO 70°C

GREEN/LEFT LED



YELLOW/RIGHT LED



|                      |            |   |        |                      |
|----------------------|------------|---|--------|----------------------|
| X:X ±0.25            | APPD:      | LINK-PP INT'L TECHNOLOGY CO., LIMITED                         |        |                      |
| X:XX ±0.20           | CHKD:      | TITLE: RJ45 Connector with 10/100 Base-TX Integrated Magnetic |        |                      |
| X:XXX ±0.05          | DR: TOM    | PART NO. : LPJ0011FBNL  |        |                      |
| ANGLES $\pm 1^\circ$ | UNIT: mm   |   |        |                      |
|                      | SCALE: 2/1 | SHEET: 1/2  | REV: A | DWG NO. : LP09011201 |

